



AutoFill™ pre-adjustable automatic combination fill valve & backflow preventer

573 series

Submittal Data 02951 NA — Issue Date 08/2017

Application

The automatic filling valve is a device consisting of a pressure reducing valve with compensating seat, visual system pressure setting indicator, an inlet filter, anti-scale internal parts, a shut-off valve (round knob on bottom) and a check valve. It is installed on the water inlet piping in sealed heating systems, and its main function is to maintain the pressure of the system at a set value, automatically filling up with water as required. The valve is pre-adjustable, meaning it can be set to the desired pressure value before the system charging phase. After installation, during the filling or topping-off phase, the water feed will stop when the set pressure is reached. This valve fills 50% faster than other valves. There are no levers to flip or valve to close. Pre-assembled with the 573 series backflow preventer, the AutoFill™ Combo features an atmospheric vent which is designed to protect drinking water systems from return flow, caused by back-siphoning or back pressure, of contaminated fluids. The 573 series has been specifically certified to standards CSA B64.3 and ASSE 1012.



ASSE 1012

Typical Specification

Furnish and install on the plans and described herein, a Caleffi AutoFill™ pre-adjustable automatic combination filling valve and backflow preventer as manufactured by Caleffi. Each valve must be designed with a visual system pressure setting indicator. The filling valve design must include a brass body, nylon plastic cover, sliding surfaces in anti-scale plastic, diaphragm and seals in NBR and removable cartridge for maintenance operations. The filling valve must have a pressure indicator for pre-adjustment of device, accuracy ±2 psi (±0.15 bar). Complete with isolating valve and filter. The dual check continuous pressure backflow preventer with atmospheric vent must be certified to CSA B64.3 and ASSE 1012, constructed of DZR low-lead brass body, stainless steel filter, 35 mesh (0.474 mm), check valve in PSU, diaphragm and seals in EPDM. Integral downstream pressure gauge (0-60 psi/0-4 bar) for codes 573012A and 573019A. (See product instructions for specific installation information.)

Technical Data

Filling valve

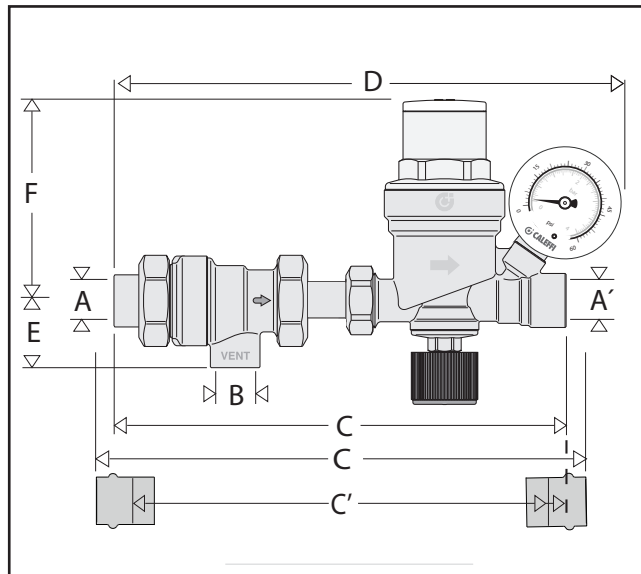
Materials - body: brass
 - cover: PA 66 GF 30
 - seals: NBR

Backflow preventer

Materials - body: DZR low-lead brass
 - filter: stainless steel
 - check valve: PSU
 - check valve stem: brass
 - diaphragm: EPDM
 - seals: EPDM

Filter screen mesh diameter: .474 mm (35 mesh)
 Certified to: CSA B64.3 and ASSE 1012

Dimensions



Code	A	A'	B	C	C'	D	E	F
573002A	1/2" NPT	1/2" NPT	1/2"	8 5/8"	—	—	1 3/8"	4"
573006A	1/2" press	1/2" press	1/2"	11 1/8"	9 5/8"	—	1 3/8"	4"
573007A	1/2" press	1/2" NPT	1/2"	9 7/8"	9 1/8"	—	1 3/8"	4"
573009A	1/2" SWT	1/2" NPT	1/2"	8 5/8"	—	—	1 3/8"	4"
573012A	1/2" NPT	1/2" NPT	1/2"	8 5/8"	—	9 3/4"	1 3/8"	4"
573016A	1/2" press	1/2" press	1/2"	11 1/8"	9 5/8"	12 1/4"	1 3/8"	4"
573017A	1/2" press	1/2" NPT	1/2"	9 7/8"	9 1/8"	12 1/4"	1 3/8"	4"
573019A	1/2" SWT	1/2" NPT	1/2"	8 5/8"	—	9 3/4"	1 3/8"	4"

C' = lay length

* for 1/2" press x 1/2" NPT from pipe stop in the inlet press tailpiece in back flow preventer to end of NPT outlet face on AutoFill.

Performance of combined unit

Suitable fluids: water
 Max. working pressure: 175 psi (12 bar)
 Pressure setting range: 3-60 psi (0.2-4 bar)
 Factory setting: 15 psi (1.035 bar)
 Indicator accuracy: ±2 psi (±0.15 bar)
 Max. working temperature: 150°F (65°C)
 Pressure gauge scale: 0-60 psi / 0-4 bar

We reserve the right to change our products and their relevant technical data, contained in this publication, at any time and without prior notice. Contractors should request production drawings if prefabricating the system

Job name _____
 Job location _____
 Engineer _____
 Mechanical contractor _____
 Contractor's P.O. No. _____
 Representative _____

Size _____
 Quantity _____
 Approval _____
 Service _____
 Tag No. _____
 Notes _____