



Anti-Theft Escutcheon

NEW! Glue-On-Nozzle is set when trim is set. Eliminates the need to coordinate with masonry or stucco crew.



Nickel Brass Finish

Single on-site installation

US Patent No. 7,618,067



Seal wall opening with 100% silicone caulk.



Install anti-theft escutcheon. Secure with appropriate anchor.



Measure hub depth of G-O-N. Cut to proper length.



Using solvent cement, place nozzle over pipe and into escutcheon.

ORDERING INFORMATION

Code	Glue-On-Nozzle Kit	Qty.
82700	2" Glue-On-Nozzle w/Escutcheon	1
82703	3" Glue-On-Nozzle w/Escutcheon	1
82706	4" Glue-On-Nozzle w/Escutcheon	1
82708	6" Glue-On-Nozzle w/Escutcheon	1
82710	8" Glue-On-Nozzle w/Escutcheon	1
82713	10" Glue-On-Nozzle w/Escutcheon	1
82715	12" Glue-On-Nozzle w/Escutcheon	1

Code	Anti-Theft Escutcheon	Qty.
82740	2" Escutcheon only	1
82743	3" Escutcheon only	1
82745	4" Escutcheon only	1
82748	6" Escutcheon only	1
82751	8" Escutcheon only	1
82755	10" Escutcheon only	1
82758	12" Escutcheon only	1

Code	Bird Screen	Qty.
82720	2" Bird Screen	1
82723	3" Bird Screen	1
82725	4" Bird Screen	1
82727	6" Bird Screen	1
82730	8" Bird Screen	1
82733	10" Bird Screen	1
82735	12" Bird Screen	1

Application • Use G-O-N for easier installation of wall drainage.

- PVC insert allows quick gluing.
- Nickel Brass finish provides professional appearance.
- One step process eliminates the need for addition site work to coordinate with masonry or stucco crew.



Sizes from 2" to 12"



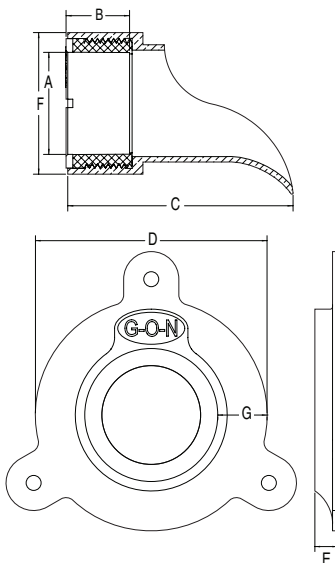
Glue-On-Nozzle with integral PVC insert

Bird Screen

Anti-Theft Escutcheon



SPECIFICATIONS



G-O-N	Appox. weight in lbs.	A	B	C	D	E	F	G
		Inside diameter	Hub depth	Nozzle depth	Escutcheon width	Escutcheon depth	Overall dimension	Escutcheon width
2"	3	2.39"	1.5"	5.25"	5.75"	.50"	3.25"	1.25"
3"	5	3.52"	1.5"	5.37"	7.00"	.57"	4.50"	1.25"
4"	7	4.52"	1.5"	5.37"	8.00"	.57"	5.50"	1.25"
6"	10	6.65"	1.5"	5.62"	10.25"	.57"	7.50"	1.25"
8"	13	8.65"	1.5"	5.62"	12.37"	.57"	10.00"	1.25"
10"	21	10.78"	2.5"	6.50"	14.50"	.57"	12.00"	1.25"
12"	26	12.78"	2.5"	7.50"	16.50"	.50"	14.00"	1.25"

