

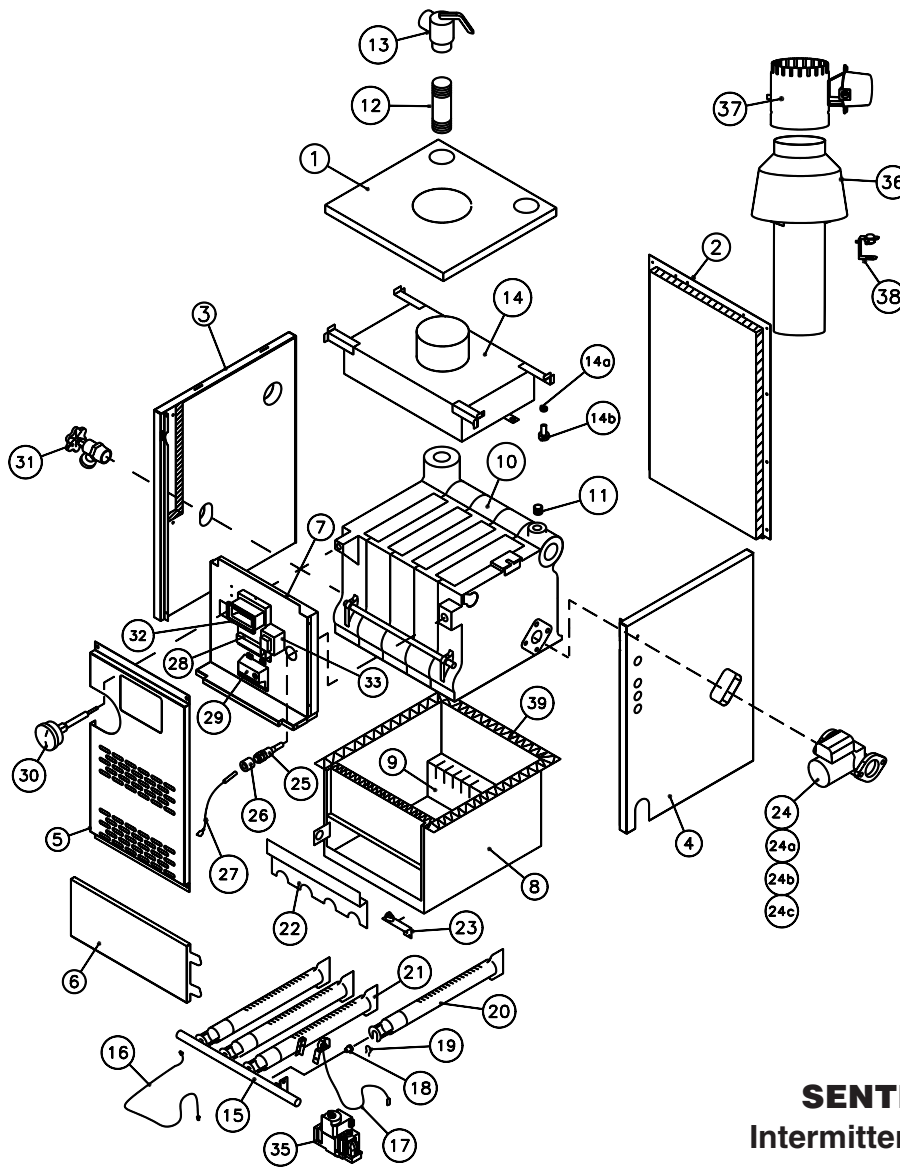
SENTINEL Cast-Iron, Hot Water, Gas Boilers

Replacement Parts List

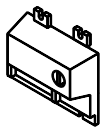
ITEM NO.	DESCRIPTION	MODEL NUMBER					
		SE-70	SE-105	SE-140	SE-175	SE-210	SE-245
1	JACKET TOP	46 0093 300	46 0093 400	46 0093 500	46 0093 600	46 0093 700	46 0093 800
2	JACKET BACK	44 0883 000	44 0884 000	44 0885 000	44 0886 000	44 0887 000	44 088 000
3	JACKET LEFT	46 0067 100	46 0067 100	46 0067 100	46 0067 100	46 0067 100	46 0067 100
4	JACKET RIGHT	46 1127 100	46 1127 100	46 1127 100	46 1127 100	46 1127 100	46 1127 100
5	JACKET FRONT UPPER	46 1125 003	46 1125 004	46 1125 005	46 1125 006	46 1125 007	46 1125 008
6	JACKET FRONT LOWER	44 0877	44 0878	44 0879	44 0880	44 0881	46 0163
7	CONTROL PANEL	46 1124 103	46 1124 104	46 1124 105	46 1124 106	46 1124 107	46 1124 108
8	BASE ASSEMBLY	44 0014	44 0015	44 0016	44 0017	44 0018	44 0019
9	BACK & BOTTOM ASSY	44 0112	44 0113	44 0114	44 0115	44 0116	44 0110
10	HEAT EXCHANGER ASSY	44 0007	44 0008	44 0009	440010	44 0011	44 0012
11	BLANK PLUG 3/4"	902340051	902340051	902340051	902340051	902340051	902340051
12	PIPE NIPLE 3/4"	902518011	902518011	902518011	902518011	902518011	902518011
13	RELIEF VALVE 30PSI	40 0103	40 0103	40 0103	40 0103	40 0103	40 0103
14	FLUE COLLECTOR ASSY	46 0333	46 0334	46 0335	46 0336	46 0332	46 0339
14A	HEX NUT	902702011	902702011	902702011	902702011	902702011	902702011
14B	MACHINE SCREW	930063171	930063171	930063171	930063171	930063171	930063171
15	GAS MANIFOLD	44 0502	44 0503	44 0504	44 0505	44 0506	44 0507
16	PILOT TUBE 1/4" ALUM.	41 0530 000	41 0530 000	41 0530 000	41 0530 000	41 0530 000	41 0530 000
17	PILOT BURNER (NATURAL GAS)	41 2075 000	41 2075 000	41 2075 000	41 2075 000	41 2075 000	41 2075 000
17	PILOT BURNER (PROPANE GAS)	41 2067 000	41 2067 000	41 2067 000	41 2067 000	41 2067 000	41 2067 000
18	MAIN BURNER ORIFICE (NATURAL GAS)	44 0550	44 0550	44 0550	44 0550	44 0550	44 0550
18	MAIN BURNER ORIFICE (PROPANE GAS)	41 1870	41 1870	41 1870	41 1870	41 1870	41 1870
19	BURNER CLIP	41 0509	41 0509	41 0509	41 0509	41 0509	41 0509
20	MAIN BURNER	44 0539	44 0539	44 0539	44 0539	44 0539	44 0539
21	MAIN BURNER W/BACKET	44 0540	44 0540	44 0540	44 0540	44 0540	44 0540
22	ACCESS DOOR	44 0028	44 0029	44 0030	44 0031	44 0032	44 0026
23	ROLL-OUT SWITCH	41 1883	46 0546	46 0547	46 0548	46 0548	46 0549
24	CIRCULATOR	79 02022	79 02022	79 02022	79 02022	79 02022	79 02022
24A	STUD, CIRCULATOR	43 0107	43 0107	43 0107	43 0107	43 0107	43 0107
24B	GASKET, CIRCULATOR	44 0600	44 0600	44 0600	44 0600	44 0600	44 0600
24C	HEX NUT, CIRCULATOR	44 0562	44 0562	44 0562	44 0562	44 0562	44 0562
25	ELECTRO WELL	41 3413 000	41 3413 000	41 3413 000	41 3413 000	41 3413 000	41 3413 000
26	RUBBER GROMMET	46 0762 000	46 0762 000	46 0762 000	46 0762 000	46 0762 000	46 0762 000
27	SENSOR 12"	46 0764 000	46 0764 000	46 0764 000	46 0764 000	46 0764 000	46 0764 000
28	HYDROSTAT CONTROL	46 1022 000	46 1021 000	46 1021 000	46 1021 000	46 1021 000	46 1021 000
29	IGNITION CONTROL UT1003-621A (NAT. GAS)-SEE PAGE 2	41 2101 000	41 2101 000	41 2101 000	41 2101 000	41 2101 000	41 2101 000
30	TEMPERATURE/PRSSURE GAUGE	910373061	910373061	910373061	910373061	910373061	910373061
31	DRAIN VALVE	910460011	910460011	910460011	910460011	910460011	910460011
32	BEZEL	46 1023 000	46 1023 000	46 1023 000	46 1023 000	46 1023 000	46 1023 000
33	TRANSFORMER	46 1024 000	-	-	-	-	-
35	GAS VALVE (NATURAL GAS)-SEE PAGE 2	44 0534	44 0534	44 0534	44 0534	46 0552	46 0552
36	DRAFT HOOD	46 0540	46 0541	46 0541	46 0538	46 0539	46 0539
37	VENT DAMPER	41 2704	41 2705	41 2705	41 2706	41 2707	41 2707
38	BLOCKED VENT SAFETY SWITCH ASSY	46 0760 000	46 0760 000	46 0760 000	46 0760 000	46 0760 000	46 0760 000
39	FIBERGLASS ROPE	40 3254	40 3254	40 3254	40 3254	40 3254	40 3254
40	THERMOSTAT TERMINAL (NOT SHOWN)	66 0523 000	66 0523 000	66 0523 000	66 0523 000	66 0523 000	66 0523 000
41	IGNITION CONTROL TO GAS VALVE HARNESS ASSY (NOT SHOWN)	46 1126 000	46 1126 000	46 1126 000	46 1126 000	46 1126 000	46 1126 000
42	VENT DAMPER HARNESS (NOT SHOWN)	41 1187 067	41 1187 067	41 1187 067	41 1187 067	41 1187 067	41 1187 067
43	CIRCULATOR HARNESS (NOT SHOWN)	41 2498 000	41 2498 000	41 2498 000	41 2498 000	41 2498 000	41 2498 000
44	BLOCKED VENT SAFETY SWITCH HARNESS (NOT SHOWN)	41 2476 000	41 2476 000	41 2476 000	41 2476 000	41 2476 000	41 2476 000
45	IGNITION CONTROL/ROLL-OUT SWITCH HARNESS (NOT SHOWN)	41 2477 000	41 2477 000	41 2477 000	41 2477 000	41 2477 000	41 2477 000
46	IGNITION CONTROL/HYDROSTAT CONTROL HARNESS (NOT SHOWN)	41 2462 000	41 2462 000	41 2462 000	41 2462 000	41 2462 000	41 2462 000

When ordering replacement parts,
specify the boiler model number, serial number and gas by name (natural or propane).
For replacement parts, heating contractors should contact their Slant/Fin boiler distributor.

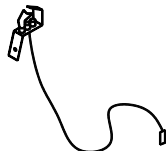
For intermittent ignition part list, see IID parts list, page 2.



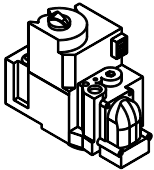
SENTINEL SERIES Intermittent Ignition (IID) Parts List



IGNITION CONTROL



IGNITION PILOT W/WIRE



GAS VALVE

DESCRIPTION	PART #	APPLICATION
Gas valve-natural gas Honeywell No. VR8204A-2266	440534	Natural gas boiler sizes Model SE-70 thru SE-175
Gas valve-natural gas Honeywell No. VR8304M-2105	460552	Natural gas boiler sizes Model SE-210 thru SE-245
Gas valve-propane gas Honeywell No. VR8204A-2258	440535	All propane gas boiler sizes
Ignition control-natural gas Honeywell No. S8600M-3001	412101	All natural gas boiler sizes
or Ignition control-natural gas UT1003-621A	412101	All natural gas boiler sizes
Ignition control-propane gas Honeywell No. S8600H-3002	412808	All propane gas boiler sizes
or Ignition control-propane gas UT1003-623A	412105	All propane gas boiler sizes
Electric ignition pilot: *Honeywell Q3451B-1004-natural gas *Honeywell Q3451B-propane gas	412075 412067	All natural gas boiler sizes All propane gas boiler sizes

*Includes ignition wire



©Slant/Fin Corp. 2017

SLANT/FIN CORPORATION, Greenvale, N.Y. 11548 • Phone: (516) 484-2600
FAX: (516) 484-0933 • Canada: Slant/Fin LTD/LTEE, Mississauga, Ontario

www.slantfin.com