

CLOSET FLANGE

889 series

Full Flush™

Item # Submitted	_____
Job Name	_____
Location	_____
Engineer	_____
Contractor	_____
PO#	_____ TAG _____

SPECIFICATION

Sioux Chief 889 series Full Flush closet flanges shall be used where necessary in drainage systems. Flange shall allow 1.5" offset in any direction, and have a full-swivel, corrosion-proof stainless steel ring, with sufficient holes for securing to floor and slots for inserting closet bolts. Flange shall have an offset inner diameter area properly sized to allow full 3" spherical-flow for complete drainage and clog resistance. Flange shall have a 3" Sch. 40 hub connection which conforms to ASTM D2665 (PVC) or D2661 (ABS). Closet flange shall be UPC listed. Always fasten closet flanges to the floor.

MATERIALS

flange body: PVC, ABS

flange ring: 18 gauge 430 stainless steel

DIMENSIONS

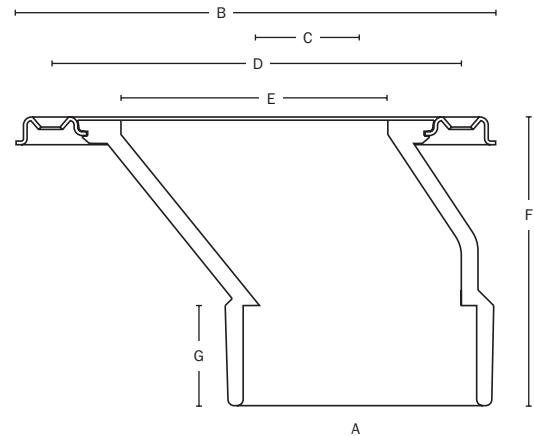
A: connection	3" Sch. 40 hub
B: ring diameter	7"
C: center-to-center offset	1½"
D: screw hole centers	6"
E: opening diameter	4"
F: overall height	4¼"
G: hub depth	1½"



889-POTM



889-AOM



Create Item Number

889-AB

e.g. 889-POTM = 3" PVC Offset closet flange with TKO knockout

- | | | | |
|-----------------------------|-----------------|-----------------------------|-------------------|
| A | CONNECTION TYPE | B | KNOCKOUT OPTION |
| <input type="checkbox"/> AO | ABS Sch. 40 hub | <input type="checkbox"/> M | open flange |
| <input type="checkbox"/> PO | PVC Sch. 40 hub | <input type="checkbox"/> TM | with TKO knockout |