



ECO-VALVE

Figure # RW-315AB

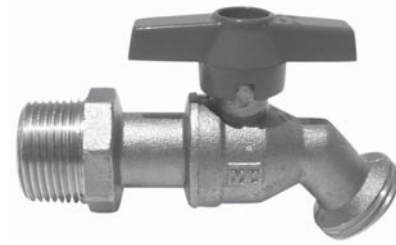
Low Lead Ball Valve Hose Bibb

Product Features

- 125# CWP
- Brass Body
- PTFE Seats
- Male Thread x Hose
- 1/2" size also accepts solder joint
- No-Kink spout
- AB1953 Certified

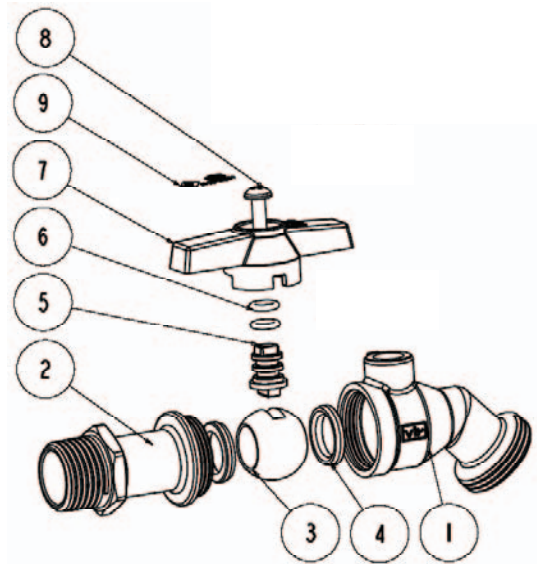


Certified to ANS/NSF 61



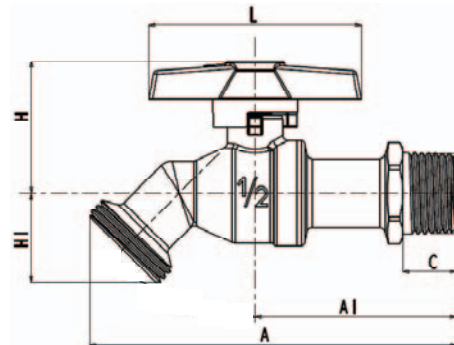
Materials & Specifications

Item	Description	Material	Specification
1	Body	Low Lead Brass	CW510L
2	Body cap	Low Lead Brass	CW510L
3	Ball	Low Lead Brass/Cr Plated	CW510L
4	Seat	PTFE	PTFE
5	Stem	Low Lead Brass	CW510L
6	O-ring	NBR	NSF approved
7	Handle	Aluminum	B85
8	Screw	Zinc Plated Steel	A36
9	Valve info	-	-



Dimensions, Weights (inches-lbs.) & Valve Data

Size	1/2	3/4
A	3.79	3.94
A1	2.09	2.19
C	0.55	0.65
H	1.37	1.37
H1	0.91	0.91
L	2.20	2.20
Wt.	0.39	0.43



RED-WHITE VALVE CORP.

20600 Regency Lane, Lake Forest, CA 92630

TEL: 949.859.1010 • FAX: 949.859.7200 • www.redwhitevalvecorp.com