

THIS SPACE FOR DESIGNER/ENGINEER APPROVAL

Job/Customer _____	Date _____	Contractor _____
Model Specified _____	Qty _____	Approved By _____
Designer/Engineer _____	Date _____	Contractor's PO# _____
Submitted by _____	Date _____	Other _____

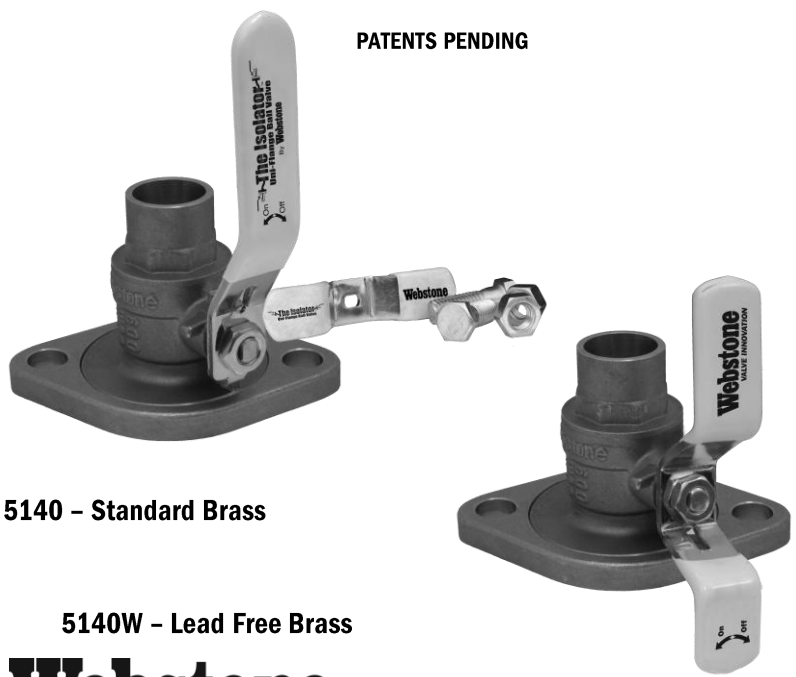
5140 Series
Full Port Forged Brass Uni-Flange Ball Valves
w/ Detachable Rotating Flange
& Adjustable Packing Gland
Bonus Wing Style "T" Handle*, Nuts & Bolts
SWT x Rotating Flange
600 WOG - ISO 9001



LEAD FREE
CLEAN BRASS
THE CLEAR CHOICE FOR THE PROFESSIONAL

Lead free products are certified to NSF/ANSI 61 & NSF/ANSI 372

STANDARD BRASS ITEM # (SB)	LEAD FREE ITEM # (LF)	SIZE	CTN	CASE		A	B	C	D		E	F	G	H	I
				SB	LF				SB	LF					
51403	51403W	3/4"	2	20	20	3/4	2 9/16	2 3/16	3 7/8	4	7/16	1/2	1 1/2	2 11/16	4 1/8
51404	51404W	1"	2	20	20	1	3 5/16	2 5/8	4 11/16	4	7/16	1/2	1 1/2	2 11/16	4 1/8
51405	51405W	1 1/4"	2	20	20	1 1/4	3 7/16	2 15/16	4 11/16	5 3/4	7/16	1/2	1 1/2	2 11/16	4 1/8
51406	51406W	1 1/2"	2	20	10	1 1/2	4 3/8	3 1/2	5 5/8	5 3/4	7/16	1/2	1 1/2	2 11/16	4 1/8
HV MODELS FIT BOTH STANDARD & HIGH VELOCITY PUMPS															
51403HV	51403HWW	3/4"	2	20	20	3/4	2 9/16	2 3/16	3 7/8	4	7/16	5/8	1 1/2	2 11/16	4 1/8
51404HV	51404WHV	1"	2	20	20	1	3 5/16	2 5/8	4 11/16	4	7/16	5/8	1 1/2	2 11/16	4 1/8
51405HV	51405WHV	1 1/4"	2	20	20	1 1/4	3 7/16	2 15/16	4 11/16	5 3/4	7/16	5/8	1 1/2	2 11/16	4 1/8
51406HV	51406WHV	1 1/2"	2	20	10	1 1/2	4 3/8	3 1/2	5 5/8	5 3/4	7/16	5/8	1 1/2	2 11/16	4 1/8
--	51407WHV	2"	1	-	10	1 1/2	4 5/8	3 1/2	-	5 3/4	7/16	5/8	1 1/2	2 11/16	4 1/8



PATENTS PENDING

5140 - Standard Brass

5140W - Lead Free Brass

NO.	DESCRIPTION	MATERIAL
1	FLANGED BODY	BRASS
2	END CAP	BRASS
3	SEATS	PTFE
4	BALL	BRASS HCP
5	STEM	BRASS
6	STEM SEAL	PTFE
7	PACKING GLAND	BRASS
8	LEVER HANDLE	STEEL CP
9	WING STYLE "T" HANDLE	STEEL CP
10	HANDLE NUT	STAINLESS STEEL
11	HANDLE JACKET	VINYL
12	ROTATING FLANGE	BRASS
13	ROTATING FLANGE RING	STAINLESS STEEL
14	FLANGE BOLTS & NUTS	STEEL ZP

TEMP °F	PSI
100	600
150	485
200	395
250	210
300	N/A
350	N/A
366	N/A



Quality and Commitment Since 1954

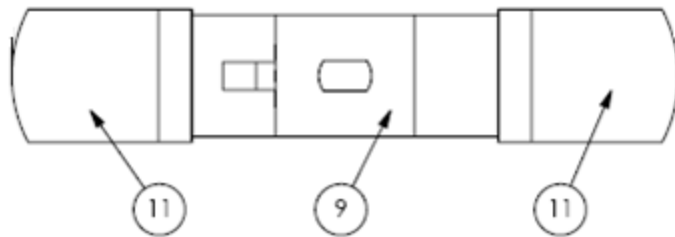
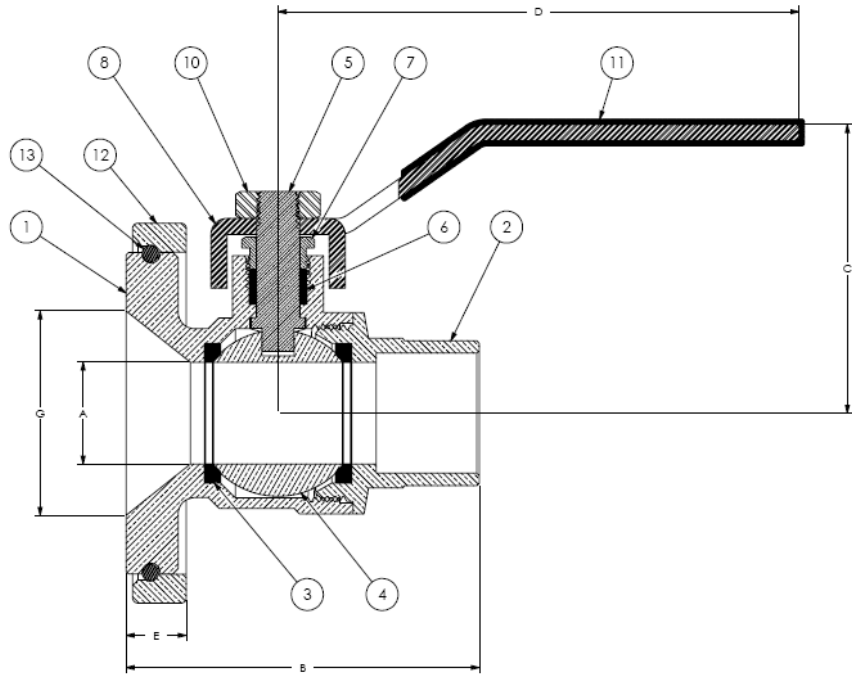
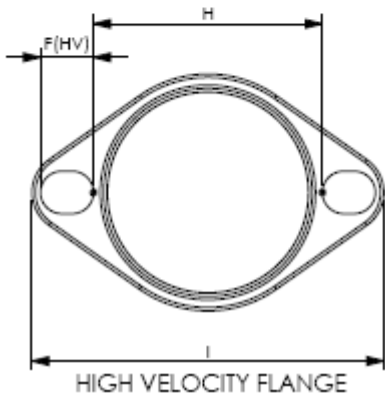
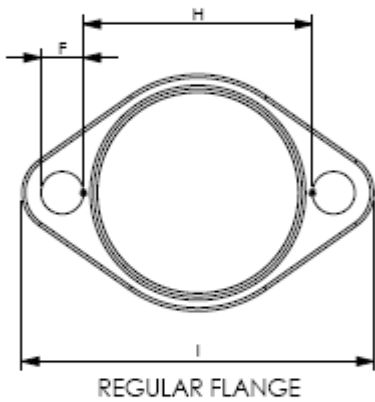
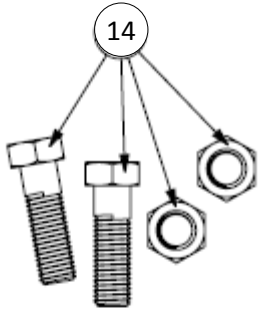
www.webstonevalves.com · P: (800) 225-9529 · F: (800) 336-5133

Webstone product specifications in U.S. customary units are approximate and are provided for reference only. Webstone reserves the right to change or modify product design, construction, specifications or materials without prior notice and without incurring any obligation to make such changes and modifications on Webstone products previously or subsequently sold.

5140-5140Wspec_032514

THIS SPACE FOR DESIGNER/ENGINEER APPROVAL

Job/Customer _____	Date _____	Contractor _____
Model Specified _____	Qty _____	Approved By _____
Designer/Engineer _____	Date _____	Contractor's PO# _____
Submitted by _____	Date _____	Other _____



Specifications: Designed for residential, commercial or industrial use with water or a glycol mixture. This approved Webstone valve is actuated by a blowout proof stem and features an adjustable packing gland. Flange features a conical inlet to minimize turbulence. The rotating flange is secured by a snug-fit snap-ring that provides greater control over positioning during installation. Solder joint temperature ratings are per ASME B16.18 Annex A for 95-5 solder. Other solder materials have lower pressure/temperature limits. Do not silver braze or overheat valves when soldering. *Bonus handle included with standard brass products only.

Webstone
VALVE INNOVATION

Quality and Commitment Since 1954

www.webstonevalves.com · P: (800) 225-9529 · F: (800) 336-5133

Webstone product specifications in U.S. customary units are approximate and are provided for reference only. Webstone reserves the right to change or modify product design, construction, specifications or materials without prior notice and without incurring any obligation to make such changes and modifications on Webstone products previously or subsequently sold.

5140-5140Wspec_032514