

Lead-Free Brass Ball Valves - Threaded

Features: Two-Piece Body • Full Port • Blowout-Proof Stem • PTFE Seats

Approvals: MSS SP-110/145 • IAPMO/ANSI Z1157 • NSF/ANSI 61/372

1/4"-2" 600 PSI non-shock cold working pressure, 350 PSI at 200°F max
2-1/2"-4" 400 PSI non-shock cold working pressure, 250 PSI at 200°F max

Not intended for steam usage



T-FP-600A-LF



T-FP-600A-LF-LL

w/Locking Lever

CSA (1/4" - 2"):

- ANSI Z21.15 / CSA 9.1
- ASME B16.44: 5 psig (maximum)
- ASME B16.33: 125 psig (maximum)
- CAN / CGA 3.16
- CGA CR91-002: 1/2 psig, 2psig, and 5 psig

FM (1/4" - 2"):

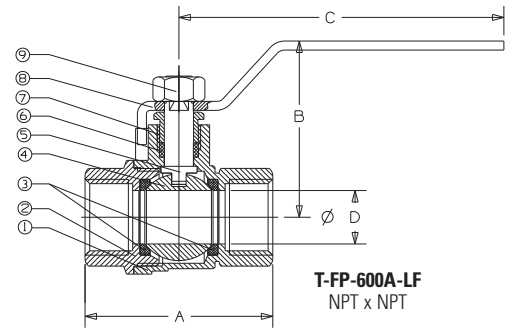
- 1140 approved 175 wwp

UL, Gas and Oil (1/4" - 4"):

- UL 1477 (YQNZ): Compressed gas shutoff valves – 250 PSI
- UL 842 (YRBX): Flammable liquid shutoff valves – 250 PSI
- UL 842 (YRPV): Gas shutoff valves – 250 PSI
- UL 842 (MHKZ): Manual valves – 250 PSI
- UL 125 (YSDT): LP-Gas shutoff valves – 250 PSI
- UL Subject 258 (VQGU): Trim and drain valves (1/4" to 2")

MATERIAL LIST

PART	SPECIFICATION
1. Body	Forged DZR Copper Alloy
2. End Cap	Forged DZR Copper Alloy
3. Ball Seat	PTFE
4. Ball	Chrome Plated LF Brass - C46500 (1/2"-1") Stainless Steel 316 (1/4"-4")
5. Stem	Brass
6. Stem Packing	PTFE
7. Packing Nut	Brass
8. Lever Handle	Steel, Plated
9. Handle Nut	Stainless Steel



T-FP-600A-LF
NPT x NPT

DIMENSIONS—WEIGHTS—QUANTITIES

SIZE	A	B	C	D	E	F	G	J	T-FP-600A-LF	Master
In. mm.	In. mm.	In. mm.	In. mm.	In. mm.	In. mm.	In. mm.	In. mm.	In. mm.	Lbs. Kg.	Ctn Qty.
1/4	8 1.76	45 3.54	90 1.73	44 0.39	10 0.82	21 1.01	26 0.47	12 4.42	112 0.33 0.15	18
3/8	10 1.76	45 3.54	90 1.73	44 0.39	10 0.82	21 1.01	26 0.47	12 4.42	112 0.30 0.14	18
1/2	15 2.02	51 3.54	90 1.94	49 0.56	14 0.98	25 1.24	31 0.52	13 4.57	116 0.44 0.20	18
3/4	20 2.36	60 3.78	96 2.11	54 0.74	19 1.24	31 1.49	38 0.56	14 4.98	126 0.66 0.30	12
1	25 2.76	70 4.53	115 2.56	65 0.94	24 1.5	38 1.79	45 0.63	16 5.91	150 1.10 0.50	6
1-1/4	32 3.3	84 4.53	115 2.98	76 1.28	33 1.88	48 2/34	316255 0.71	18 6.18	157 1.57 0.71	4
1-1/2	40 3.66	93 5.51	140 3.37	86 1.58	40 2.22	56 2.83	72 0.72	18 7.34	186 2.40 1.09	2
2	50 4.18	106 5.51	140 3.7	94 1.99	51 2.68	68 3.42	87 0.75	19 7.6	193 3.37 1.53	2
2-1/2	65 5.38	137 8.66	220 4.76	121 2.52	64 3.34	85 4.33	110 1.02	26 11.35	288 7.60 3.45	3
3	80 6.09	155 8.66	220 5.08	129 2.91	74 3.89	99 4.92	125 1.1	28 11.68	297 9.36 4.24	2
4	100 7.39	188 9.61	244 5.87	149 3.87	98 4.95	126 6.38	162 1.22	31 13.3	338 16.85 7.64	1

Handle Options:

- Lever
- Locking lever
- Extended lever



WARNING: This product can expose you to chemicals including lead, which is known to the State of California to cause cancer and birth defects or other reproductive harm. For more information go to www.P65Warnings.ca.gov.

LEAD-FREE: Weighted average lead content ≤ 0.25%