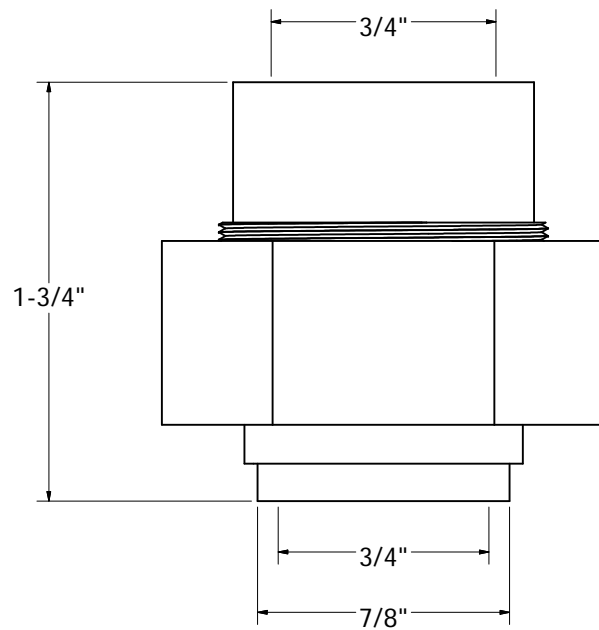
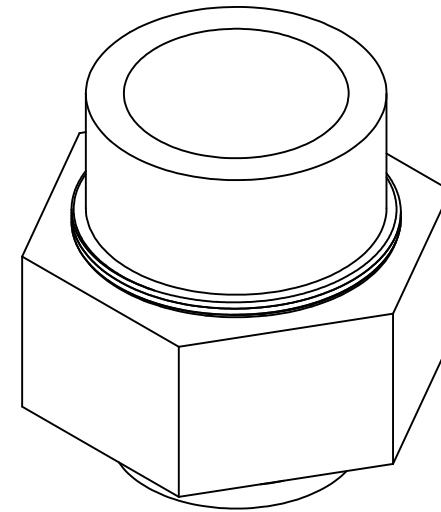
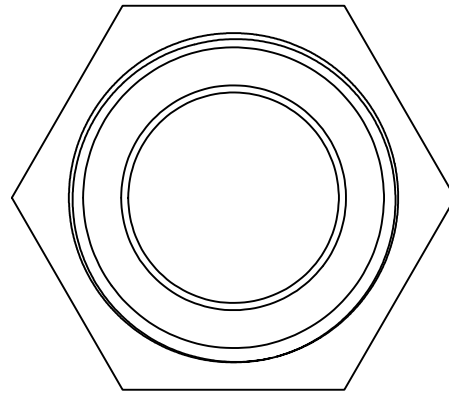


DIELECTRIC UNION - FEMALE X SWEAT - LEAD FREE



PHONE NUMBER
1-800-355-6637
 FAX NUMBER
1-800-462-6991
 SCALE 2.5 : 1 DATE 10/14/14
 SHEET 1 OF 1
 DRAWN BY
ASHLEY KRALOVEC

PART NO.
FIP X COMPPER
SWEAT
OD

D06075
3/4" X 3/4"
7/8"