

SPECIFICATION SUBMITTAL SHEET



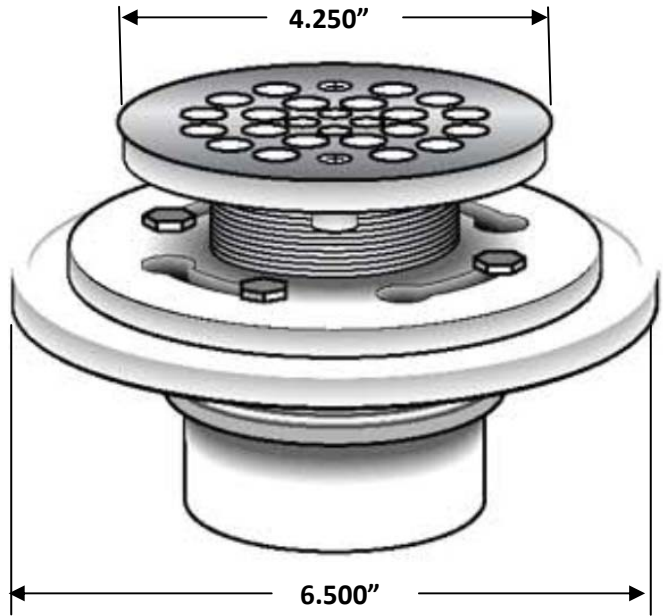
STANDARD FLOOR and SHOWER DRAIN with MEMBRANE CLAMPING RING

Job Name: _____
 Job Location: _____
 Engineer: _____
 Approval: _____

Contractor: _____
 Approval: _____
 Contractor's PO#: _____
 Representative: _____

Specifications

- 2' X 3" PVC or ABS solvent weld connection
- Screw holes 2.625" oc
- Adjustable Height – 3.500" to 4.625"
- Drain Body Height – 2.500"



√ Product Code	Description	Model #	Units/Case
PVC Body, Flange, and Tailpiece			
85984	Cover-all Snap-On SS Strainer (#6305)	4850S2	20
85992	Cover-all Snap-On White Enamel Strnr (#6305W)	4850W	20
85986	Stainless Steel Strainer (#6303)	4850PS	20
85980	Cover-all Stainless Steel Strainer (#6309)	4850OS	20
85990	Cover-all Chrome Brass Strainer (#6320)	4850B2	20
ABS Body, Flange, and Tailpiece			
85975	Cover-all Snap-On SS Strainer (#6305)	5850S2	20
85985	Cover-all Stainless Steel Strainer (#6309)	5850OS	20
85995	H.D. Cover-all Chrome Brass Strainer (#6320)	5850B2	20

