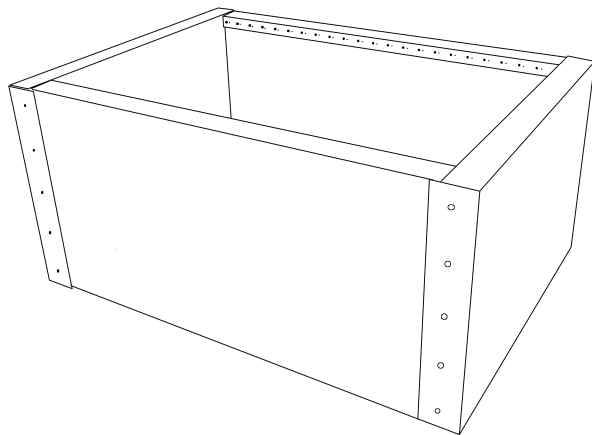




Acoustic Plenum Installation Manual

MODEL #: ACP-01
MODEL #: ACP-02






The AirScape Acoustic Plenum will help reduce the over-all sound levels of your Whole House Fan by up to 3 dBA depending on model, fan speed, and installation. We achieve this sound reduction by lining the plenum box with 1.5" thick sound absorbing duct board and by moving the whole house fan farther away from the living space.

NOTE: The Acoustic Plenum is designed for use with whole house fans that use a base rough opening of 14.5" x 22.5" (ACP-01) or 22.5" x 26.5" (ACP-02)

NOTE: The Acoustic Plenum will add 12" of height to the total height of the Whole House Fan installation

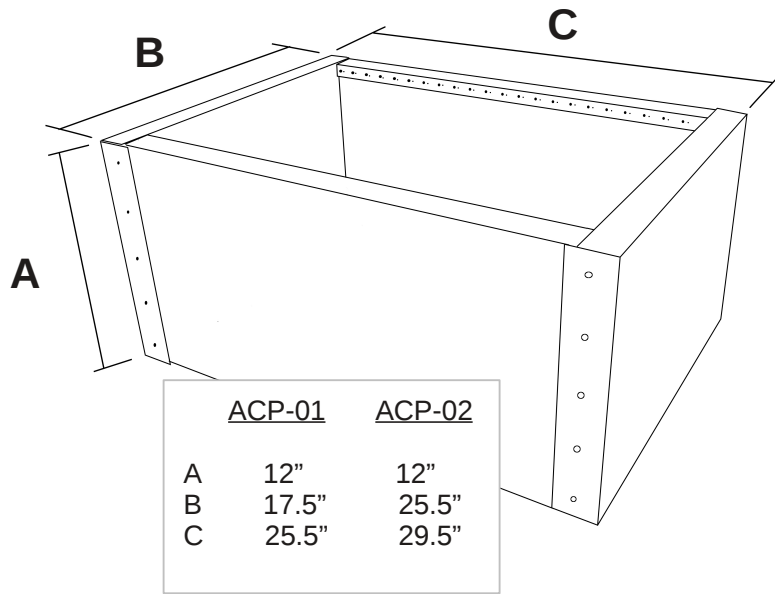
KIT INCLUDES:

- PLENUM BOX END x2
- PLENUM BOX SIDE x2
- TAPE x4 (3" x 12")
- SELF TAPPING SHEET METAL SCREWS x8 
- SHEET METAL BODY SCREWS x20 
- WOOD SCREWS x4 

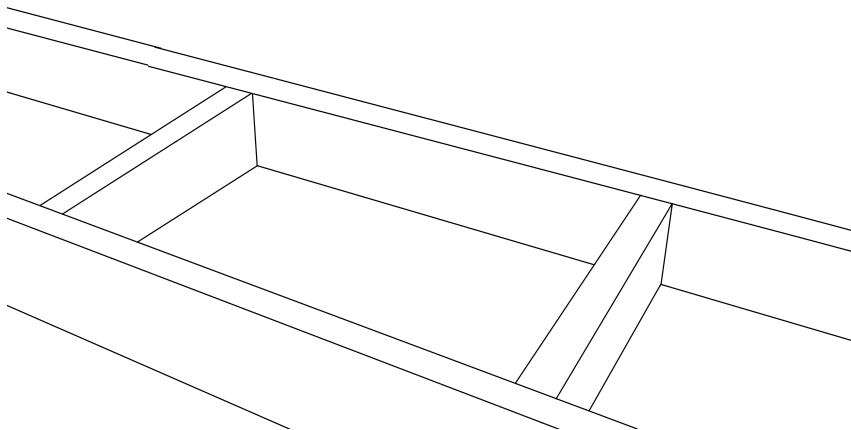
TOOLS REQUIRED / MATERIALS:

- HIGH QUALITY LATEX CAULK
- CAULK GUN
- 5/16" SOCKET AND RACTCHET
- PHILLIPS HEAD SCREW DRIVER
- INSULATION

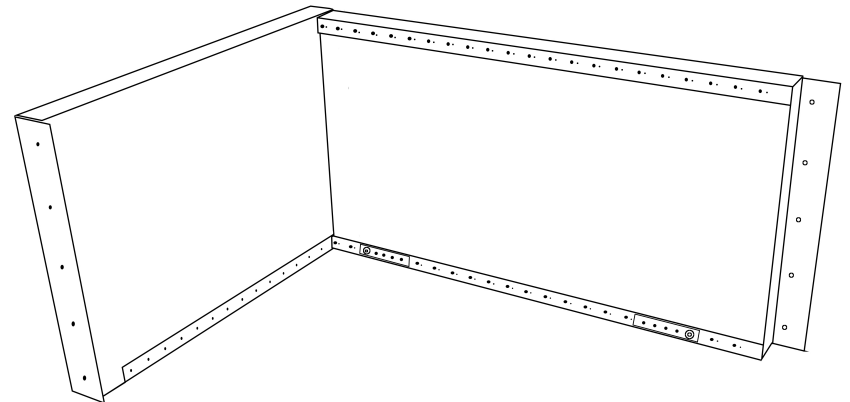
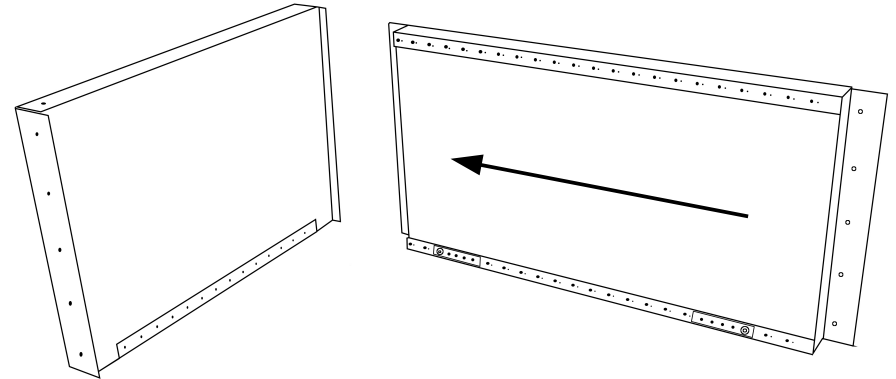
ASSEMBLED DIMENSIONS:



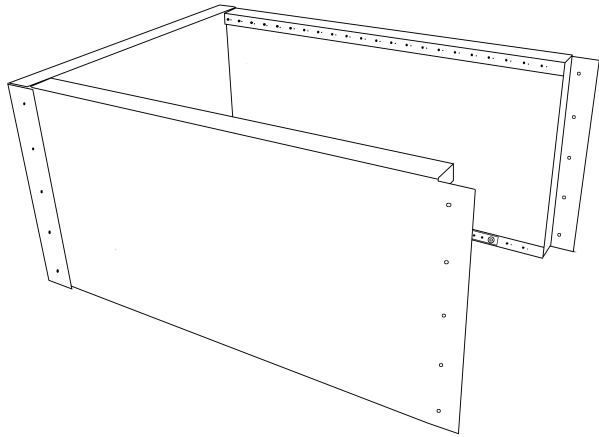
STEP 1: Frame out the rough opening for the Whole House Fan per the units installation manual (ACP-01: 14.5" x 22.5" ID) or (ACP-02: 22.5" x 26.5" ID).



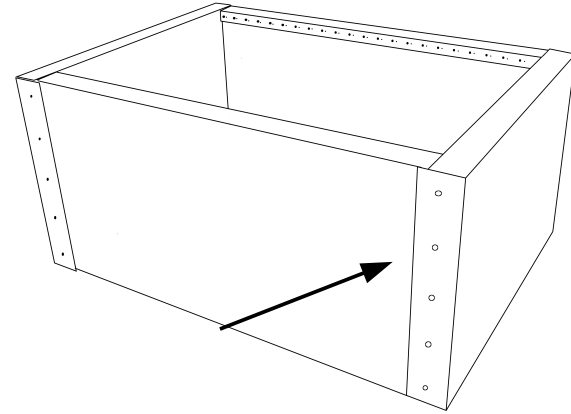
STEP 2: Inset 1 of the plenum box sides into 1 of the plenum box ends. Fasten together with 5 of the provided sheet metal screws. The mounting tabs on the side piece should be be at the bottom and the side piece should slide into the inside of the end piece.



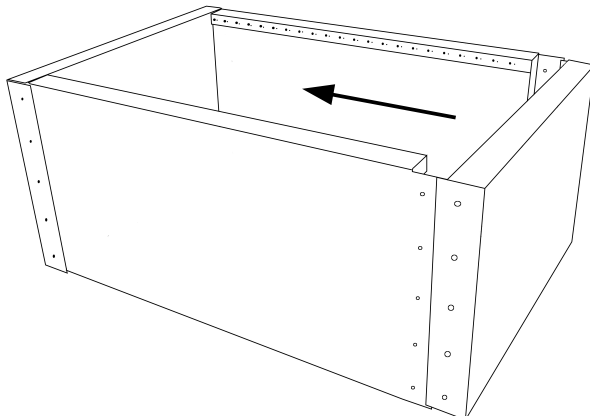
STEP 3: Inset the remaining side piece into the end side from step 2. Fasten with 5 sheet metal screws. Note that the mounting tabs should be at the bottom.



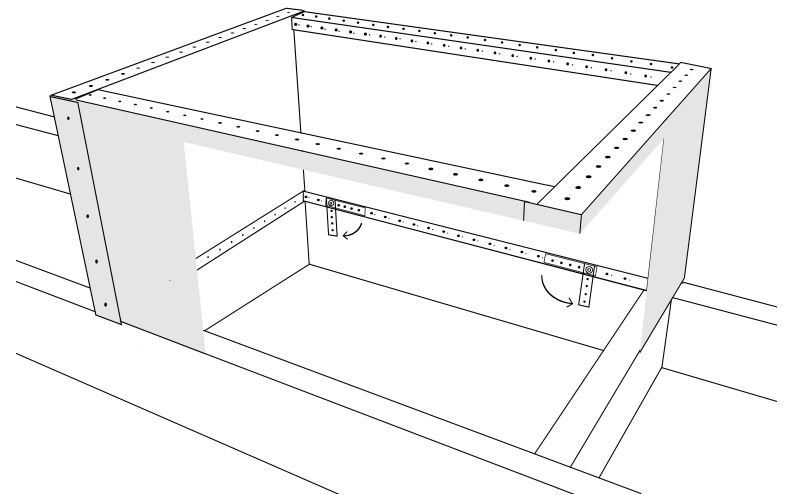
STEP 5: Using the provided tape, seal the seams along the four sides of the plenum box.



STEP 4: Install the remaining end piece and fasten with 5 sheet metal screws on each side.

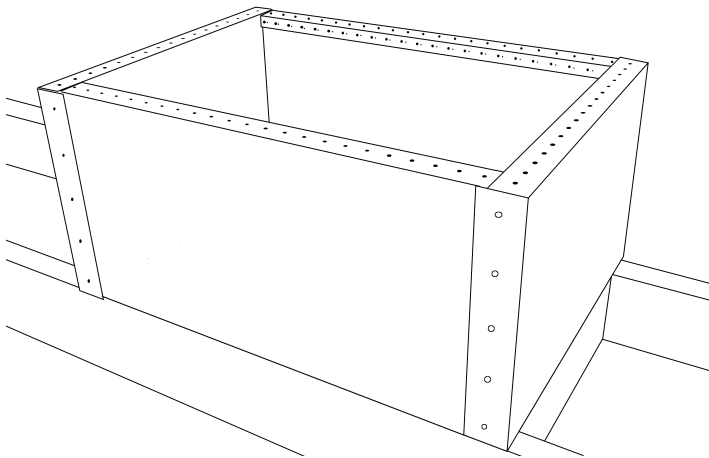


STEP 6: Lay a bead of caulking on the top of the framed opening and position the plenum box over the rough opening in the attic. Turn the 4 mounting tabs down into position and secure with the provided wood screws.



STEP 7: Surround the plenum box with insulation equal to or greater than the R-value of the attics insulation.

The plenum box set up is now complete. Follow the installation instructions that came with your Whole House Fan to complete your installation. The self-tapping sheet metal screws provided with the Plenum box kit will replace the wood screws provided with the WHF. They are used to mount the WHF to the Plenum box. Be sure to caulk the gaps between the plenum box and the Whole House Fan to make an airtight seal.



Visit us online at www.airscapefans.com
to find other great accessories

WARRANTY

- **Hardware**

AirScape warrants the original end user (“Customer”) that new AirScape Whole House fan products, including all moving parts, motors, dampers, and damper actuators will be free from defects in workmanship and materials, under normal use, for three (3) years from the original purchase date. *See separate controls IOM for warranty on controls.*

- **Software**

AirScape warrants to Customer that the AirScape Whole House Fan software will perform in substantial conformance to its program specifications for a period of three (3) years from the date of the original purchase.

- **Exclusions**

This warranty excludes (1) physical damage to the surface of the product, including cracks or scratches on the outside casing; (2) damage caused by misuse, neglect, improper installation, unauthorized attempts to open, repair, or modify the product, or any other cause beyond the range of intended use; (3) damage, caused by accident, fire, power changes, other hazard, or Acts of God; or (4) use of the product with any unauthorized device if such device causes the problem.

- **Exclusive Remedies**

Should a covered defect occur during the warranty period and Customer notifies AirScape, Customer’s sole and exclusive remedy will be, at AirScape’s sole option and expense, to repair or replace the product. Replacement products or parts may be new or reconditioned or a comparable version of the defective item. AirScape warrants any replaced product or part for a period of ninety (90) days from shipment, or through the end of the original warranty, whichever is longer.

- **Obtaining Warranty Service**

Customer must contact and return product to AirScape, Product dealer or Installer within the applicable warranty period to obtain warranty service. Dated proof of original purchase will be required. AirScape will not be responsible for Customer’s memory data contained in, stored on, or integrated with any products returned to AirScape for repair, whether under warranty or not.

- **Warranty Exclusive**

The foregoing warranties and remedies are exclusive and in lieu of all other warranties, express or implied, including warranties of merchantability, fitness for a particular purpose, correspondence with description, and non-infringement, all of which are expressly disclaimed by AirScape and its suppliers.

- **Disclaimer**

Neither AirScape nor its suppliers shall be liable for incidental, consequential, indirect, special, or punitive damages of any kind, or financial loss arising out of or in connection with the sale or use of this product, whether based in contract, tort (including negligence) or any other theory, even if AirScape has been advised of the possibility of such damages AirScape’s entire liability shall be limited to replacement or repair of the product.



Phone: 1.866.448.4187
Email: experts@airscapefans.com
Web: airscapefans.com

For all technical or warranty related issues or for more information on AirScape products, please contact us.