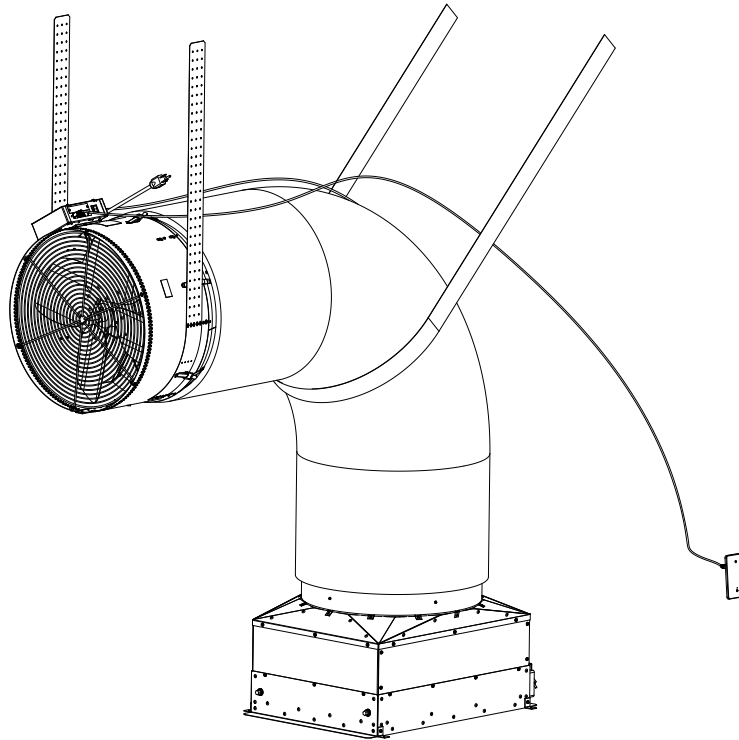


3200

WHOLE HOUSE FAN INSTALLATION & OPERATION MANUAL



Thank you for purchasing this AirScape[®] whole house fan. Your fan has been designed to provide your home with natural, quiet, and energy-efficient cooling for many years.

Before installing this fan, inspect it and all of its parts for any damage it may have sustained during shipping. **DO NOT INSTALL DAMAGED EQUIPMENT. If you suspect this fan has been damaged during shipping, contact AirScape technical support by phone at 1.866.448.4187, or email at experts@airscapefans.com.**

Whole house fans are installed within a home's attic, which makes them extremely difficult to access once installed. **TEST THIS FAN AND POWERED AIRLOCK™ OUTSIDE OF THE ATTIC BEFORE INSTALLING THEM.** Connect the fan and Powered AirLock to their controls and to a power supply, and ensure they operate properly by turning the fan on, cycling through its speed settings, and turning the fan off. If any difficulties are encountered, contact AirScape technical support at the numbers listed above.

SAFETY INFORMATION



Some of the principles of this product's safe installation and operation are not immediately obvious. Read the following safety information before continuing further:



- Never operate this fan without a window or door opened.
- This fan is meant for general ventilation. **DO NOT USE THIS FAN TO VENTILATE PARTICLE-LADEN AND/OR EXPLOSIVE MIXTURES OF AIR.**
- Do not use this fan for kitchen ventilation.
- NEVER force open the Powered AirLock's doors as this could severely damage its actuators. **ALWAYS use the yellow clutch releases located on the actuators before attempting to manually open or close the doors.**
- **Before installing or servicing this fan, disconnect it from power to reduce the risk of damaging circuit boards, fire, electrical shock, or injury.**
- Install this fan in accordance with this manual and all local codes and standards.

ELECTRICAL REQUIREMENTS

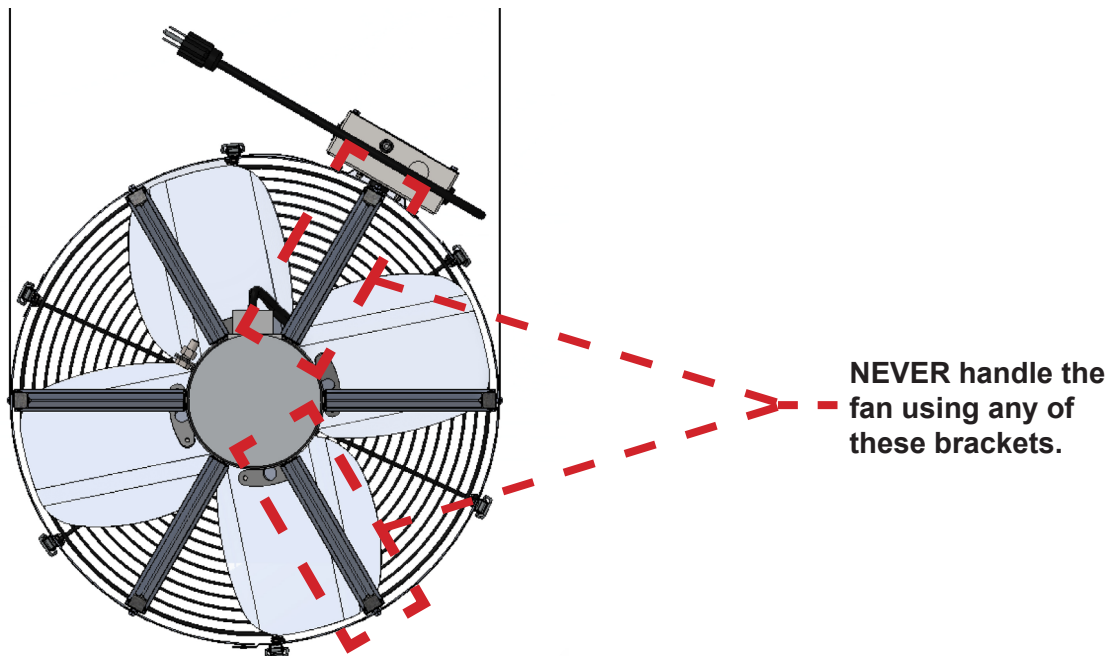
This fan requires a 120 volt uninterrupted electricity supply. We strongly recommend providing a dedicated circuit for this fan.

This fan has a factory-installed, 10 ft. power cord that originates at the fan-mounted electrical box. Consider this length when choosing a location for this fan. Depending on the location of existing outlets in the attic, the installation of an additional outlet may be required.

All wiring and connections must be made according to this manual and acceptable wiring standards. All local codes must be followed. Consult an electrician if necessary.

▲ HANDLING INSTRUCTIONS ▲

This fan's aluminum construction is corrosion-resistant and extremely durable. However, this fan should never be handled using any of the aerodynamic brackets that mount the motor within the assembly. These brackets are highlighted in the illustration below. Always handle this fan by either its external casing or the motor itself. You can also handle this fan by its hanging straps, but be careful as their edges are sharp.



SUPPLIES INCLUDED IN THE BOX

Prior to beginning installation, please verify all of the following items were received:

- Box 1 of 3: Powered AirLock assembly with assembly kit, including base, sides, transition, ¼" nutsetter*, 38 assembly screws*, 6 collar screws*, 4 mounting screws*, and 40 ft. of aluminum tape*; Control package including Digital Touch Controller*, mounting bracket*, 2 white, flat-head controller screws*, and 50 ft. red CAT5 cable*; White cube-core grille with 8 white wood screws; Installation and Operation Manual, green "Theory of Operation" insert, and blue "Warranty Card."
- Box 2 of 3: Fan; 20 ft of aluminum tape; 20 ft. of 1¾" polypropylene webbing.
- Box 3 of 3: 20" diameter flexible acoustic duct.

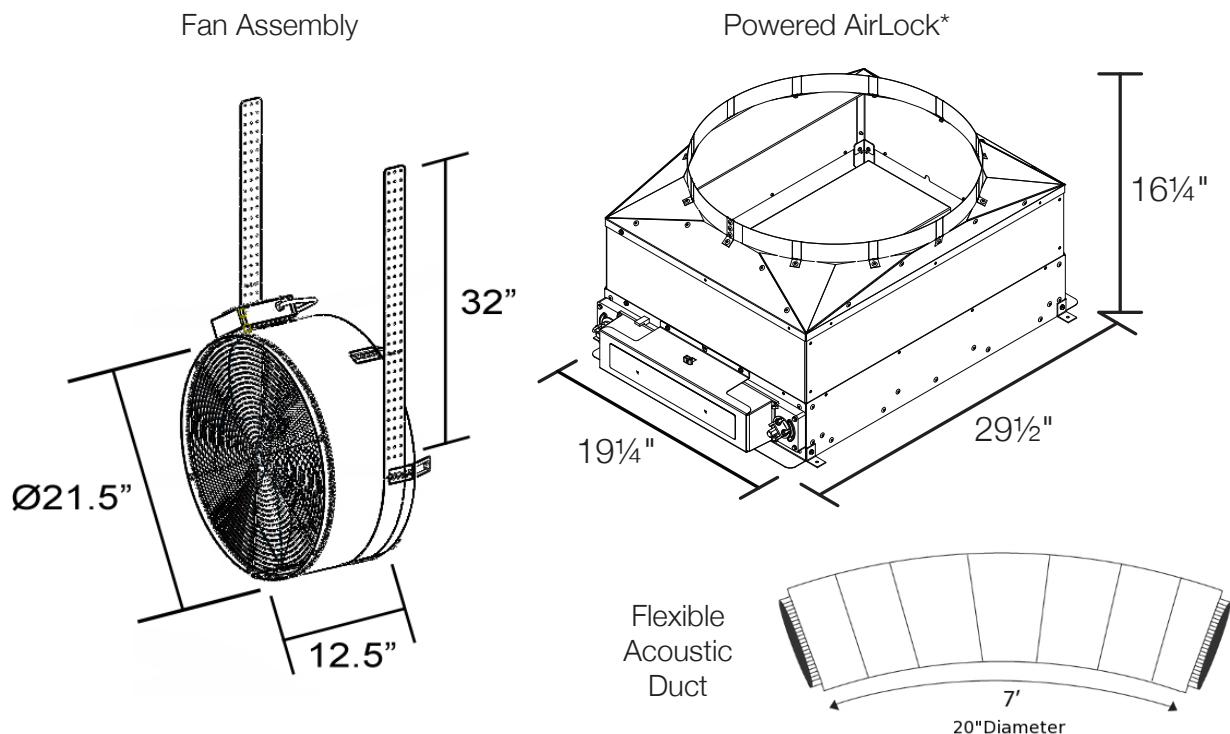
*Astericked items are packaged and shipped within the white "Controls" box within Box 1.

REQUIRED TOOLS & SUPPLIES NOT INCLUDED

In addition to the included items listed above, the following tools and supplies are required to install the fan:

- Lumber matching dimensions of the attic joists (e.g. 2" x 6", 2" x 8", etc.) and cut to fit according to this manual's INSTALLATION: FRAMING section, as well as any additional supplies needed to frame the fan's rough opening.
- Cordless drill with phillips-head screwdriver and miscellaneous drill bits.
- At least 8 wood screws (1½" min. length) and washers sized to fit.
- Socket wrench with ¼" and 9/16" sockets or standard wrenches in the same sizes.
- Phillips and flat-head manual screwdrivers.
- Drywall Cutter.
- High quality latex caulk.

UNIT PARTS & DIMENSIONS

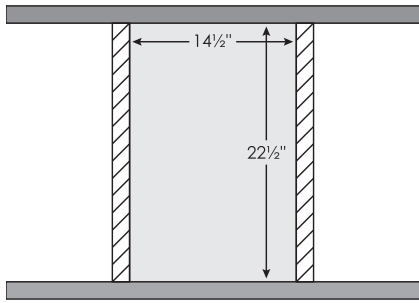


*Powered AirLock is shown above as it appears once fully assembled.

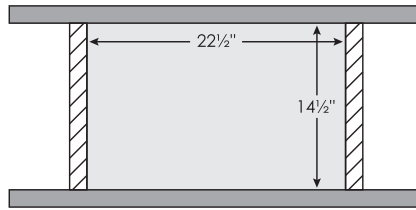
INSTALLATION: FRAMING




Using appropriately sized lumber (e.g. 2" x 6", 2" x 8", etc.) cut to fit, frame in a rough opening from the living space into the attic as shown below. Cut out the drywall inside of the framing to create the rough opening.

24" On-Center Framing

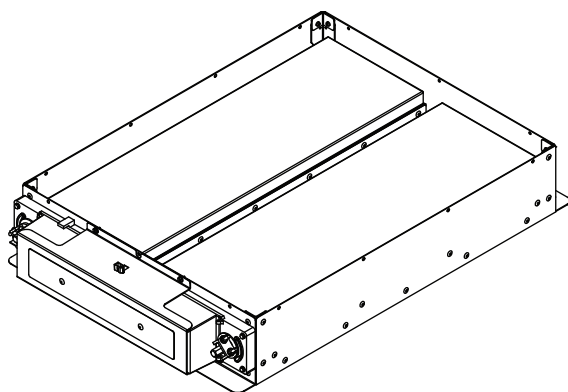
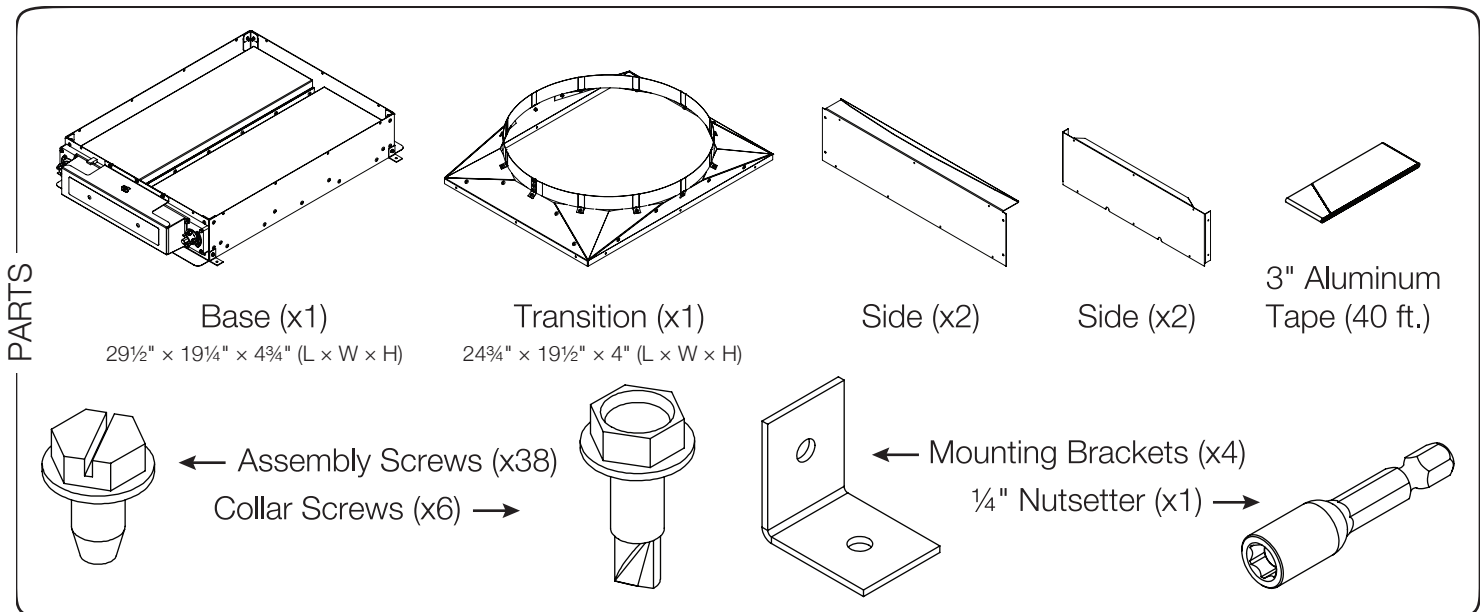


16" On-Center Framing

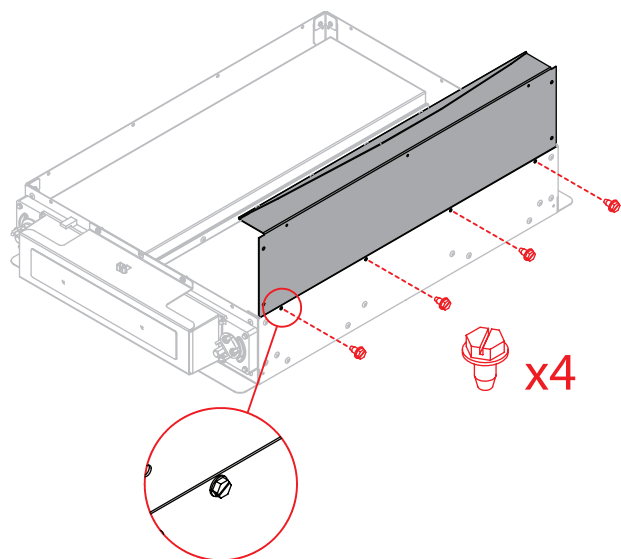


-  Existing Framing
-  Additional Framing
-  Rough Opening

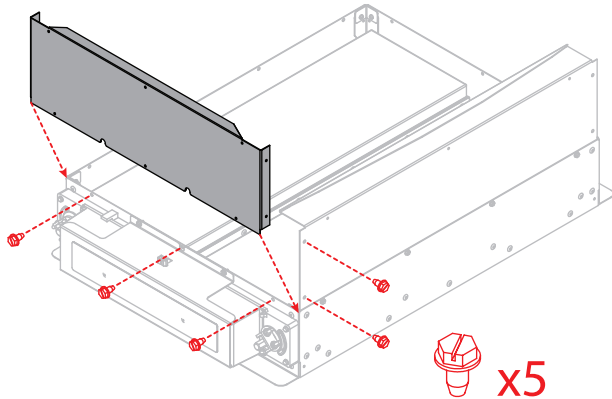
INSTALLATION: POWERED AIRLOCK ASSEMBLY



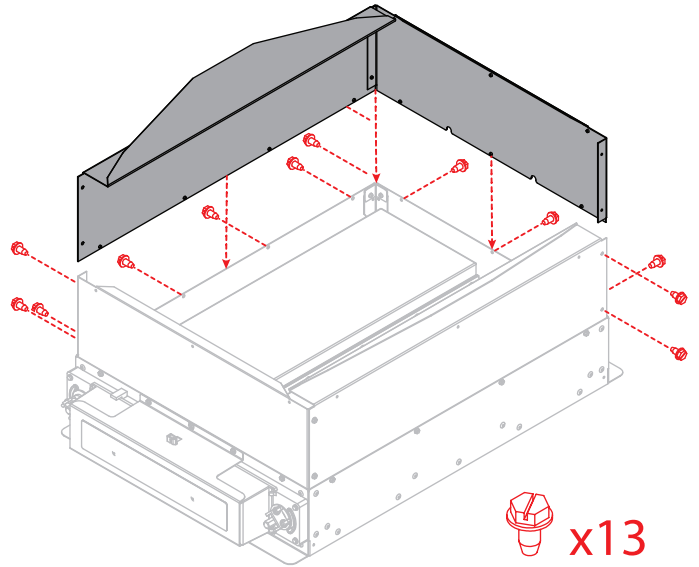
Start by placing the base on a flat surface. Find the provided 1/4" nutsetter, it can be used with a cordless drill to assist you in the next steps (hand tools can also be used).



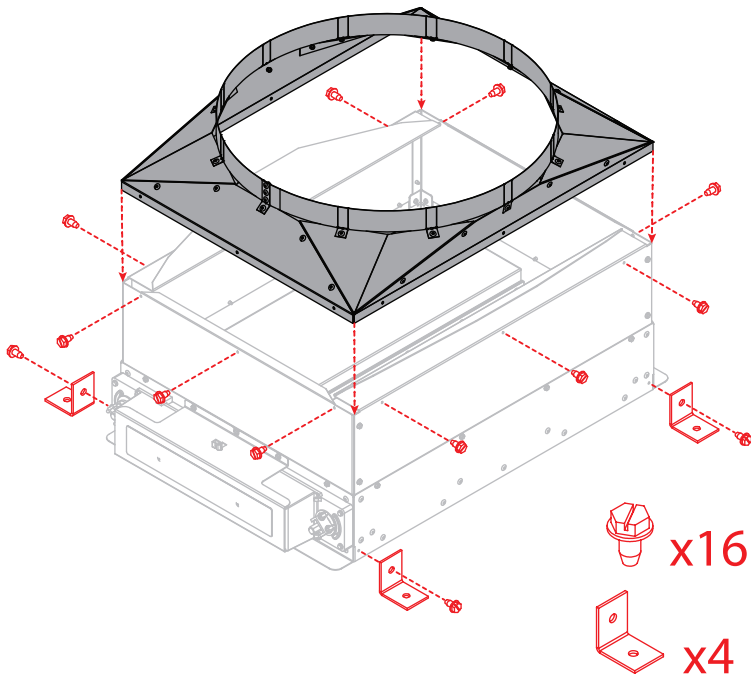
Attach the first side to the base using 4 of the provided assembly screws.



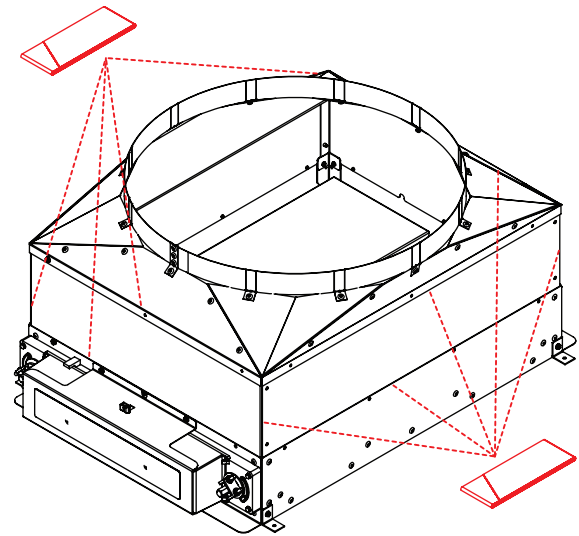
Attach the next side to the base and to the first side using 5 assembly screws.



Attach the remaining sides to base and other sides using 13 assembly screws at the base and corners.



⚠ Once the sides have been fasten to base, pass the partially-assembled unit into the attic, **without the transition**. Pass the transition into the attic separately, and then attach it to the sides using 12 assembly screws. Attach the mounting brackets to the base using the last 4 assembly screws.



Finish by sealing the seams between the pieces with the provided aluminum tape at: 1) each corner; 2) around the base; and, 3) around the transition.

DO NOT OVER-TIGHTEN SCREWS

Connect actuators to fan using factory-installed, grey MOLEX cable originating from the fan-mounted electrical box

Connect to fan to power using factory-installed power cord (10 ft).

Suspend fan from rafters using hanging strap. Secure hanging strap to rafters using wood screws (1½" minimum length, NOT provided) through the pilot holes on strap; washers recommended between screw heads and straps. USE BOTH SIDES OF STRAP AND KEEP FAN AS LEVEL AS POSSIBLE.

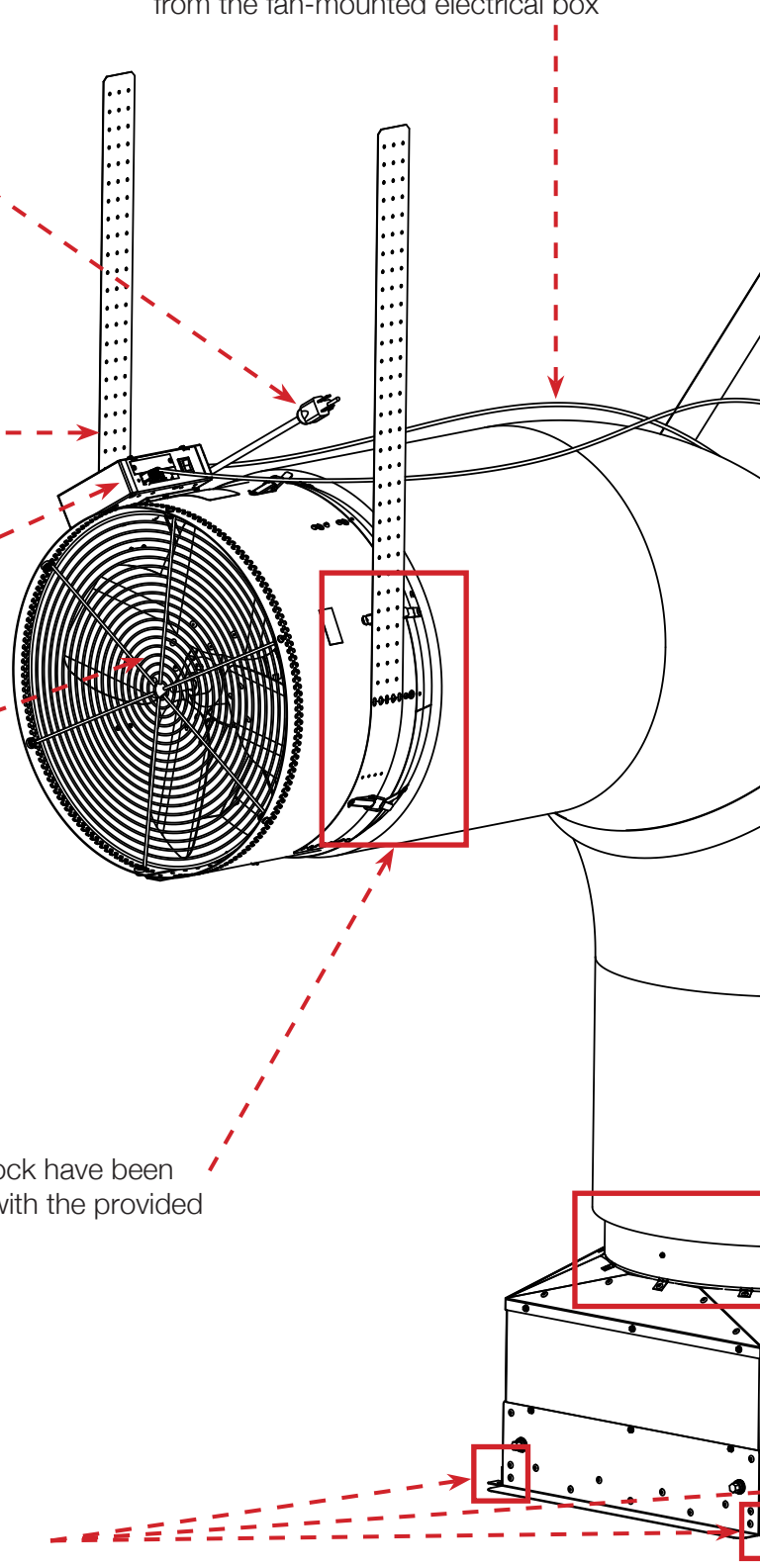
All wiring connections to and from fan are made at the fan-mounted electrical box.

Face of fan must remain unobstructed; 24-INCH MINIMUM CLEARANCE REQUIRED. Route all wiring away from face of fan to prevent entanglement.

Use latches to fasten ductwork to fan.

Once the fan, ductwork, and Powered AirLock have been successfully connected, seal these seams with the provided aluminum tape.

Center Powered AirLock over rough opening and mount it to framing using the 4 provided mounting screws through the mounting brackets (if your home's framing is 24" on-center) or through the flange (if your home's framing is 16" on-center).



Maintain ductwork's 20" diameter throughout bend, keep the section of duct immediately prior to the fan as straight as possible, and avoid contact with any metal fixture, pipes, or conduits.

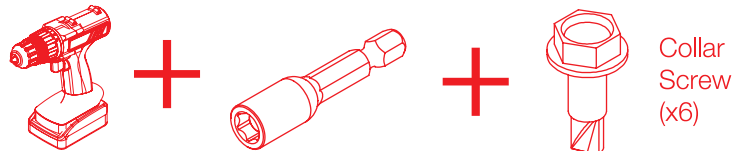
Support the ductwork under the bend using the provided polypropylene webbing. To fasten the webbing to the attic joists, fold over the end of the webbing and screw at least two 1½" or longer wood screws (NOT provided) through both layers of webbing and into the joists.

Use red CAT5e cable (50 ft) to connect Digital Touch Controller to fan. NOTE: this cable is low voltage, DO NOT run it parallel to high-voltage wiring; building codes generally require low-voltage cables to be run through shielded conduit.

Controller must be connected to fan for unit to function, even if it is not ultimately installed in a wall.

Once the fan has been hung and the ductwork attached thereto, slide the collared end of the duct over the collar on the Powered AirLock's transition. Use the provided ¼" nut-setter and a cordless drill to fasten the two collars together using the 6 provided collar screws.

Once the fan, ductwork, and Powered AirLock have been successfully connected, Finish by sealing this seam with provided aluminum tape.



INSTALLATION: WIRING & CONTROLS



The Digital Touch Controller provided with this fan is necessary for operating it, and must be connected to it regardless of whether the controller will be installed in a wall. **THIS FAN WILL NOT FUNCTION IF NOT CONNECTED TO A DIGITAL TOUCH CONTROLLER!** If it is not desired to be installed in a wall, the controller can be connected to the fan and kept in the attic with the CAT5 cable kept spooled.



The standard control package included with this fan contains 1 wall-mounted Digital Touch Controller; 1 mounting bracket for the controller; and 50 ft. of red CAT5 cable.

All wiring connections to the fan assembly are made at the fan-mounted electrical box. These include: a 10 ft, black, factory-installed power cord; a 9 ft, grey, factory-installed MOLEX cord for connecting the Powered AirLock's actuators to the fan; and three RJ45 ("ethernet") ports for connecting the fans controls and accessories, labeled as follows:



W/S



FAN



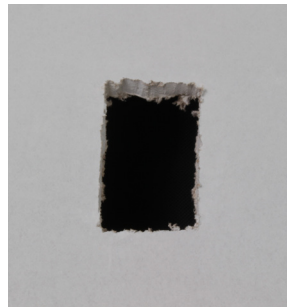
RMT

Figure A



Use the mounting bracket as a template to mark the hole location.

Figure B



Cut out the hole.

Figure C



Place the mounting bracket and secure its locking tabs by tightening the silver screws

Figure D



Connect the CAT5 cable. Mount the faceplate to the bracket with the provided white screws

First, locate the desired location for the Digital Touch Controller. Install the mounting bracket according to Figures A–C below.

Return to the attic and connect the red CAT5 cable to the RJ45 port on the fan electrical box labeled **W/S**. Run this cable from the electrical box to the location of the controller. NOTE: this is a low-voltage cable, DO NOT RUN IT PARALLEL TO HIGH-VOLTAGE WIRING; building codes generally require low-voltage cable to be run through shielded conduit.

Connect the CAT5 cable to the RJ45 port on the back of the Digital Touch Controller. Mount the controller's faceplate to the mounting bracket with the provided white screws, as shown above in Figure D.

Next, connect the MOLEX cord from the fan-mounted electrical box to the MOLEX cord from the Powered AirLock's actuators. Finish by plugging the power cord into an outlet with uninterrupted 120-volt power.

INSTALLATION: GRILLE

The cube-core grille is installed from within the living space after the fan, duct, and Powered AirLock have been installed in their final location within the attic. Before mounting the grille, use a high-quality latex caulk to seal all wood-to-wood and wood-to-metal seams within the space formed by the Powered AirLock and framing.

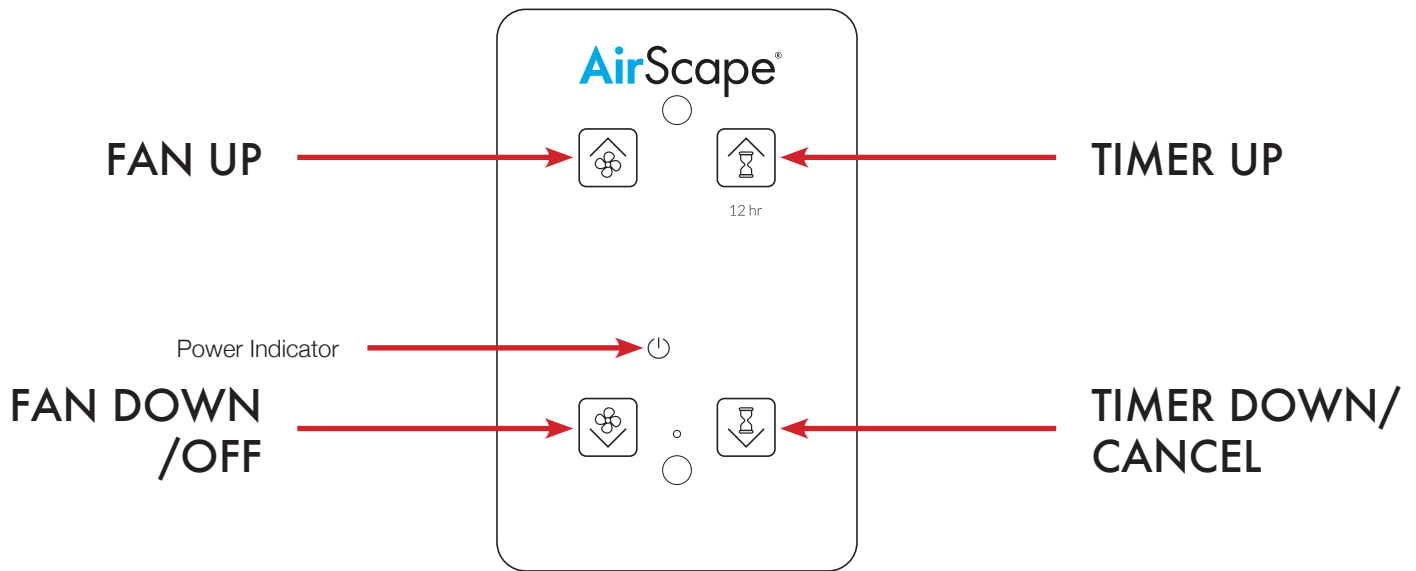
Next, mount the grille to the framing using the eight white wood screws provided. We strongly recommend pre-drilling holes in the framing for these screws; be careful to prevent them from stripping.

Before starting this fan for the first time, verify that:

1. All wiring and connections have been made according to this manual and acceptable wiring standards, and that this manual and all local codes and standards have been followed in this fan's installation;
2. No tools or construction debris have been left in, on, or around the fan;
3. The fan's power cord has been plugged into a 120-volt outlet with uninterrupted power; and,
4. The area in front of the fan is as unobstructed as possible, with no object closer than 24" to the face of the fan.

When running this fan for the first time, make sure to observe it turning on, running at each of its speed settings, and turning off from both the attic (to observe the fan itself) and the living space (to observe the Powered AirLock's doors).

As shown below, there are four buttons on your fan's control interface:



When the Digital Touch Controller is connected to the fan, and the fan to power, a red LED will illuminate beneath the Power Indicator shown above. If the Power Indicator is not illuminated, double-check the connections between the fan and the controller, and between the fan and the power outlet.

Turn on the fan by touching **FAN UP** or **TIMER UP**. The Powered AirLock's doors will open and there will be a 10 second delay before the fan begins to operate. The fan will start at minimum speed. Green LEDs will illuminate to indicate the speed setting. If the fan was turned on by **TIMER UP**, the timer will be set to one hour and blue LEDs will illuminate to indicate the timer setting.

Press or hold **FAN UP** to increase the speed incrementally until reaching the desired or maximum speed. Press or hold **TIMER UP** to increase the time on the timer in one hour increments until the desired time, or the maximum time of 12 hours, is achieved.

If the fan is already operating at minimum speed, touch **FAN DOWN/OFF** to turn off the fan; any time remaining on the timer will be canceled. If the fan is at any higher speed, press or hold **FAN DOWN/OFF** to incrementally decrease the speed until reaching the desired speed or turning the fan off.

Press or hold **TIMER DOWN/CANCEL** to reduce the time on the timer in one hour increments until the desired time is achieved or the timer is canceled. If the timer is canceled, the fan will remain on at its current speed. If the timer expires, the fan will turn off.

Whenever the fan is turned off, the Powered AirLock's doors will close tightly within about 60 seconds.

MAINTENANCE, TROUBLESHOOTING, TECHNICAL SUPPORT

There is no routine maintenance required for this fan other than making sure the fan and Powered AirLock remain clear of dust or debris, and that the area in front of the fan remains as unobstructed as possible, with no object closer than 24" to the face of the fan.

A resettable circuit breaker is located on the fan-mounted electrical box to protect circuit boards from power surges. In the case of a power surge, this breaker can be reset by simply pushing the button back in.

If problems are encountered, please take a few moments to run through the troubleshooting procedures described on the blue Warranty Card. If these suggestions do not work, contact AirScape technical support at 1.866.448.4187 or by email at experts@airscapefans.com for further assistance.

WIRELESS REMOTE (NOT INCLUDED)

A wireless remote is an available accessory for this fan. It is not included as part of this fan's standard control package. The yellow manual included with the remote provides specific instructions for this accessory's installation and operation. Briefly, the steps for installing the remote are as follows:

- Remove the top cover of the remote receiver. Plug the provided blue CAT5 cable into the remote receiver and into the blue **RMT** port on the fan-mounted electrical box.
- Press and release the black button (labeled "LEARN") on the receiver's circuit board to begin the merge sequence; the transmission LED on the receiver will illuminate.
- Press and release any button on the wireless transmitter while the transmission LED on the receiver is illuminated. Unplug the CAT5 cable from the receiver, replace its cover, and then replug the CAT5 cable into the receiver.

2ND GENERATION CONTROLS UPGRADE (NOT INCLUDED)

AirScape's "2nd Generation Control Package" is an available accessory for this fan. It is not included as part of this fan's standard controls. The 2nd Gen. Controls include a webserver that allows you to operate your fan from any smartphone, tablet, or computer with access to your home's local area network ("LAN"). They are also necessary to use AirScape's Temperature Sensor Package ("TSP") and SafeSpeed™ Pressure Interlock accessories.

The manual included with the 2nd Generation Controls provides specific instructions for their installation and operation. If purchased, the 2nd Gen. Controls are connected using the green **FAN** RJ45 port on the fan-mounted electrical box.

SPECIFICATIONS*

Speed Setting:	1	2	3	4	5	6	7	8	9	10
Airflow (CFM):	723	1388	1853	2212	2532	2834	3075	3123	3178	3253
Power (watts):	18	42	75	116	162	215	272	287	304	321
Efficiency (watts/CFM):	40.2	33.0	24.7	19.1	15.6	13.2	11.3	10.9	10.5	10.1
Noise (dBA):										
Rough Opening Dimensions:	14.5" x 22.5"									
Grille Outer Dimensions:	16" x 24"									
Grille Build:	Cube Core, Aluminum, White Powder Coat									
Powered AirLock Dimensions:	23.25" x 15.75" x 16.25" (L x W x H)									
Duct Length:	7 ft.									
Duct Diameter:	20"									
Electrical:	120VAC, 60 Hz, 15 amps									
Insulation:	R-10; R-49 in "-XR" models									
Controls:	Low Voltage; Hardwired Wall Switch, Optional Wireless Remote									
Installation:	Installs easily on 24" or 16" O/C framing									
Warranty:	3 years									

**Actual performance will vary from installation to installation. Due to our continual product improvement efforts, performance ratings and specifications are subject to change without notice.*

